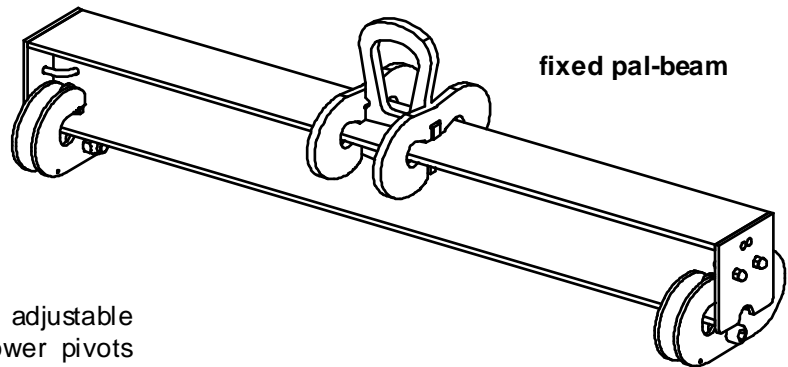


**Applications**

Lifting of various loads.



**Description**

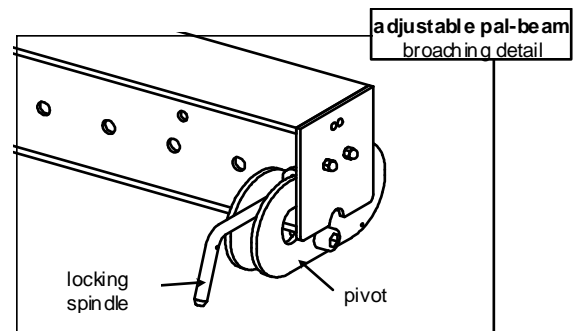
Range of lifting beams with fixed or adjustable load-centre fitted with 2 exclusive lower pivots allowing additional lifting applications with profile and/ or lower pivots' inclined:

A- Lifting with symmetrical or asymmetrical lower pivots, pulling sideways outside or inside (max angle 15°).

B- Lifting with profile inclined at 6° out of the horizontal line:

- vertical traction with symmetrical lower pivots
- sideways traction with asymmetrical lower pivots.

These lower pivots enable the hooking of accessories such as hooks, slings...



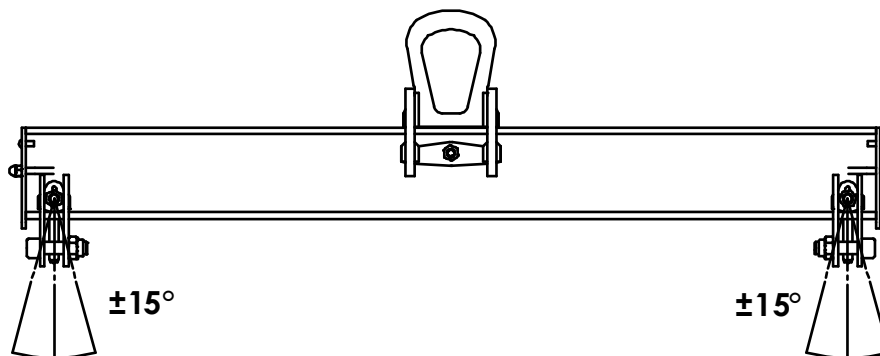
Adjustable model: lower pivots adjustment on the profile through safety spindle to a 100 mm increment.

**Functioning**

Hang pal-beam® onto the lifting means. (adjustable model only: adjust both lower pivots -taking the load geometry into account- sliding them onto the profile and lock the pivots' position thanks to the safety spindles). Hang the load on the lifting beam and perform lifting ensuring the whole is well balanced.

**Important instructions**

- Sideways traction: adhere to the max recommended inclination angles.
- Working temperature: -20° to +100°C.





**General characteristics**

- Manufactured without load bearing welds.
- Hot epoxy coating.
- Safety factor: 3 in accordance with the EN 13155.2003 norm.
- Product conforms to the French regulation, in particular the decree of 01/03/2004 relating to the check on lifting devices and the European Directive n°98/37.
- Product with EC marking and delivered with a declaration of conformity and instructions for use.

**Dimensional characteristics**

F = fixed/ M = adjustable load-centre

WLL kg	Ref.	L max effective length	Group code Fixed load- centre	Group code Adjustable load-centre	Hp dead height with hooks	A x B ring opening	J x I ring section	PI safety catch passage	Lifting beam weight kg	Dimensions		Hooks passage			
										L x w x H	C	D	E	F	
1000	PBF/MA1-A	L = 1000	51338	51838	410	105x74	24x15	24	33	1110x274x331	16	24	15	37	
	PBF/MA1-B	1001 ≤ L ≤ 1500	51348	51848					(L*x20)+12	(L+110)x274x331					
	PBF/MA1-C	1501 ≤ L ≤ 1999	51358	51858					52	2110x274x331					
	PBF/MA1-D	L = 2000	51368	51868											
	PBF/MA1-E	2001 ≤ L ≤ 2500	51378	51878											
	PBF/MA1-F	2501 ≤ L ≤ 2999	51388	51888					(L*x20)+12	(L+110)x274x331					
	PBF/MA1-G	L = 3000	51398	51898	72	3110x274x331									
	PBF/MB1-H	3001 ≤ L ≤ 3500	51408	51908	442				(L*x30,5)+17	(L+125)x380x379	20	32	18	31	
	PBF/MB1-I	3501 ≤ L ≤ 3999	51418	51918											
PBF/MB1-J	L = 4000	51428	51928	141					4125x380x379						
2000	PBF/MA2-A	L = 1000	51438	51938	442	105x74	24x15	24	33	1110x274x331	16	24	15	37	
	PBF/MB2-B	1001 ≤ L ≤ 1500	51448	51948					(L*x30,5)+17	(L+125)x380x379					
	PBF/MB2-C	1501 ≤ L ≤ 1999	51458	51958					80	2125x380x379					
	PBF/MB2-D	L = 2000	51468	51968											
	PBF/MB2-E	2001 ≤ L ≤ 2500	51478	51978											
	PBF/MB2-F	2501 ≤ L ≤ 2999	51488	51988					(L*x30,5)+17	(L+125)x380x379					
	PBF/MB2-G	L = 3000	51498	51998	110	3125x380x379									
	PBF/MC2-H	3001 ≤ L ≤ 3500	51508	52008	480	117x82	26x15		(L*x35,5)+22	(L+125)x394x424	24	32	18	36	
	PBF/MC2-I	3501 ≤ L ≤ 3999	51518	52018											
PBF/MC2-J	L = 4000	51528	52028	167					4125x394x424						
3000	PBF/MB3-A	L = 1000	51538	52038	461	105x74	24x15	25	50	1125x380x379	20	32	18	31	
	PBF/MB3-B	1001 ≤ L ≤ 1500	51548	52048					(L*x30,5)+17	(L+125)x380x379					
	PBF/MB3-C	1501 ≤ L ≤ 1999	51558	52058					80	2125x380x379					
	PBF/MB3-D	L = 2000	51568	52068											
	PBF/MC3-E	2001 ≤ L ≤ 2500	51578	52078											
	PBF/MC3-F	2501 ≤ L ≤ 2999	51588	52088					(L*x35,5)+22	(L+125)x394x424					
	PBF/MC3-G	L = 3000	51598	52098	131	3125x394x424									
	PBF/MD3-H	3001 ≤ L ≤ 3500	51608	52108	499	117x82	26x15		(L*x42,5)+29	(L+125)x421x474	24	32	18	36	
	PBF/MD3-I	3501 ≤ L ≤ 3999	51618	52118											
PBF/MD3-J	L = 4000	51628	52128	202					4125x421x474						
4000	PBF/MC4-A	L = 1000	51638	52138	508	117x82	26x15	28	60	1125x394x424	24	32	18	36	
	PBF/MC4-B	1001 ≤ L ≤ 1500	51648	52148					(L*x35,5)+22	(L+125)x394x424					
	PBF/MC4-C	1501 ≤ L ≤ 1999	51658	52158					96	2125x394x424					
	PBF/MC4-D	L = 2000	51668	52168											
	PBF/MD4-E	2001 ≤ L ≤ 2500	51678	52178											
	PBF/MD4-F	2501 ≤ L ≤ 2999	51688	52188					(L*x42,5)+29	(L+125)x421x474					
	PBF/MD4-G	L = 3000	51698	52198	160	3125x421x474									
	PBF/ME4-H	3001 ≤ L ≤ 3500	51708	52208	550	129x90	30x20		(L*x60,5)+37	(L+125)x436x530	24	32	18	44	
	PBF/ME4-I	3501 ≤ L ≤ 3999	51718	52218											
PBF/ME4-J	L = 4000	51728	52228	283					4125x436x530						
5000	PBF/MD5-A	L = 1000	51738	52238	550	129x90	30x20	28	75	1125x421x474	24	32	18	45	
	PBF/MD5-B	1001 ≤ L ≤ 1500	51748	52248					(L*x42,5)+29	(L+125)x421x474					
	PBF/MD5-C	1501 ≤ L ≤ 1999	51758	52258					117	2125x421x474					
	PBF/MD5-D	L = 2000	51768	52268											
	PBF/ME5-E	2001 ≤ L ≤ 2500	51778	52278											
	PBF/ME5-F	2501 ≤ L ≤ 2999	51788	52288					(L*x60,5)+37	(L+125)x436x530					
	PBF/ME5-G	L = 3000	51798	52298	223	3125x436x530									
	PBF/ME5-H	3001 ≤ L ≤ 3500	51808	52308	605	143x100	32x20		(L*x60,5)+37	(L+125)x436x530	24	32	18	44	
	PBF/ME5-I	3501 ≤ L ≤ 3999	51818	52318											
PBF/ME5-J	L = 4000	51828	52328	283					4125x436x530						



\* L expressed in metres Dimensions in mm



**Dimensional characteristics**

Range of adjustment

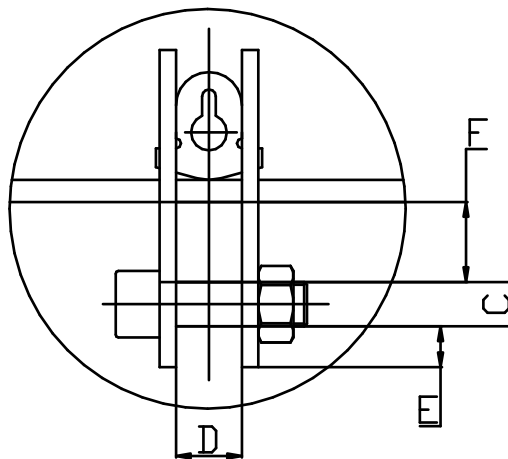
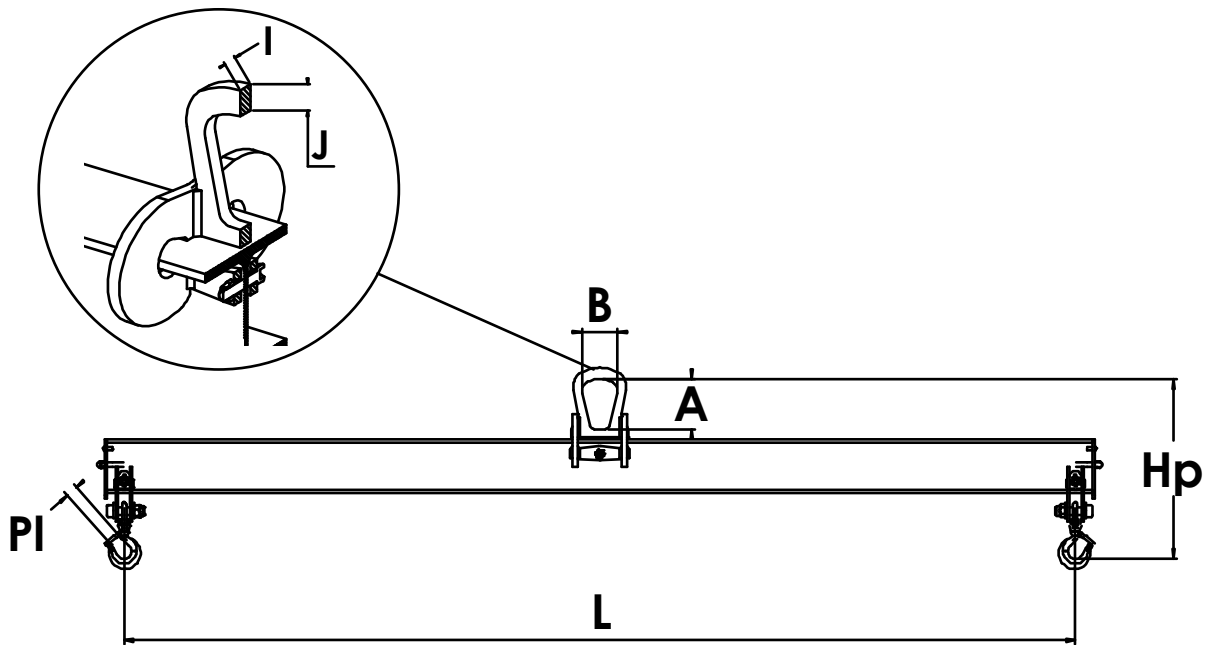
- length inferior or equal to 1500 mm:  
adjustment on 300 mm on each side of the  
upper lifting point (ie 600 mm as total).

- length superior to 1500 mm:  
adjustment on 500 mm on each side of the  
upper lifting point (ie 1000 mm as total).

The adjusting increment is 100 mm.

WLL lifting beam kg	Group code	Hook ref.*
1 000	52338	CRE1.6
2 000		
3 000	52358	CRE2.5
4 000	52368	CRE3.2
5 000		

\* swivel hook with safety catch per unit



Sous réserve de modification technique sans préavis – Document non contractuel.