

# technical data sheet

## hydrofor™ Hydraulic toe jacks W.L.L. : 5 t - 10 t - 25 t

réf. : **T 2061 GB**  
rév. n° : **03**  
date : **06/08**  
page : **1/1**

### FUNCTION :

Floor handling of heavy loads requesting a limited lift for maintenance purposes or to lift a load prior to move it on the floor with skates.

### DESCRIPTION AND PRINCIPLE OF USE :

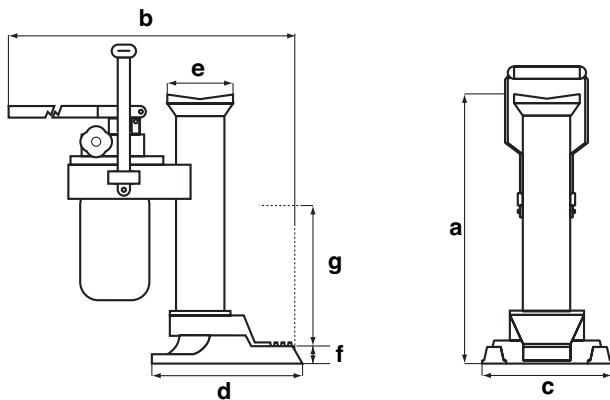
The HYDROFOR™ jack is a manually operated single block hydraulic ram with a projecting lifting toe. Operating the lever will lift the load, when the release button is closed. By turning smoothly this button anti-clockwise, the load will be controlled downwards.

The load can be handled either by the toe or by the jack head.

### ADVANTAGES :

- Robust construction with a single block steel body and wearing parts such as the column, the toe and the base plate are of high resistance special steel.
- Ergonomic and removable handle for transport (25 t model is fitted with rollers).
- Working Load applied on toe and head.
- Pressure valve to avoid overloading.
- A release button controls lowering operations.
- Toe can swivel 360° around the axis of the jack.
- Operation in both vertical and horizontal position (vertical position only for 25t unit).
- Minimum clearance only between floor and toe.
- Easy maintenance of the hydraulic circuit.
- Removable operating lever.

### CHARACTERISTICS :



| Models                       |          | H5 | H10       | H25       |           |
|------------------------------|----------|----|-----------|-----------|-----------|
| W.L.L.                       | t        | 5  | 10        | 25        |           |
| Travel of ram                | g        | mm | 205       | 230       | 215       |
| Travel of toe                | Mini/Max | mm | 25 / 230  | 30 / 260  | 58 / 273  |
| Travel of head               | Mini/Max | mm | 368 / 573 | 420 / 650 | 505 / 720 |
| Dimensions                   | a        | mm | 368       | 420       | 505       |
|                              | b        | mm | 740       | 745       | 1305      |
|                              | c x d    | mm | 140 x 213 | 170 x 205 | 210 x 420 |
|                              | e        | mm | 76 x 76   | 91 x 91   | 155 x 155 |
|                              | f        | mm | 25        | 30        | 58        |
| Effort on lever (load limit) | N        |    | 380       | 400       | 400       |
| Weight                       | kg       |    | 25        | 35        | 109       |