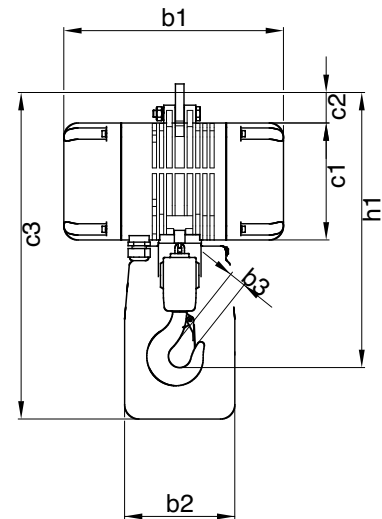
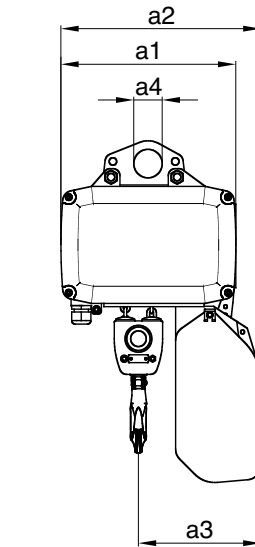


Specification

| ISO (FEM) classification | M3 (1Bm) 150 s/h 25% duty | M4 (1Am) 180 s/h 30% duty | M5 (2m) 240 s/h 40% duty | M6 (3m) 300 s/h 50% duty | M7 (4m) 360 s/h 60% duty | Lifting speed | Motor power (M3) | 3 x 400V 50Hz (M3) | No. of chain falls | Dead weight 3 m lift |
|--------------------------|---------------------------------|---------------------------------|--------------------------------|--------------------------------|--------------------------------|---------------|------------------|--------------------|--------------------|----------------------|
| Types | Capacity [kg] | | | | | [m/min] | [kW] | [A] | | [kg] |
| TS 250/1 S | 250 | 200 | 160 | 125 | 100 | 8 | 0.36 | 1.3 | 1 | 19 |
| TS 250/1 SD | 250 | 200 | 160 | 125 | 100 | 8/2 | 0.36/0.09 | 2.7/3.0 | 1 | 22 |
| TS 250/1 SH | 160 | 125 | 100 | 100 | 100 | 12.5/3 | 0.36/0.09 | 2.7/3.0 | 1 | 22 |
| TS 250/1 SS | 100 | 100 | 100 | 100 | 100 | 20/5 | 0.36/0.09 | 2.7/3.0 | 1 | 22 |
| TS 250/2 S | 500 | 400 | 320 | 250 | 200 | 4 | 0.36 | 1.3 | 2 | 22.5 |
| TS 250/2 SD | 500 | 400 | 320 | 250 | 200 | 4/1 | 0.36/0.09 | 2.7/3.0 | 2 | 23 |
| TS 250/2 SH | 320 | 250 | 200 | 160 | 125 | 6.25/1.5 | 0.36/0.09 | 2.7/3.0 | 2 | 23 |
| TS 500/1 S | 500 | 400 | 320 | 250 | 200 | 8 | 0.72 | 2.1 | 1 | 20 |
| TS 500/1 SD | 500 | 400 | 320 | 250 | 200 | 8/2 | 0.72/0.18 | 2.9/3.0 | 1 | 22.5 |
| TS 500/1 SH | 320 | 250 | 200 | 160 | 125 | 12.5/3 | 0.72/0.18 | 2.9/3.0 | 1 | 22.5 |
| TS 500/1 SS | 200 | 160 | 125 | 100 | 100 | 20/5 | 0.72/0.18 | 2.9/3.0 | 1 | 22.5 |
| TS 500/2 S | 1'000 | 800 | 630 | 500 | 400 | 4 | 0.72 | 2.1 | 2 | 24.5 |
| TS 500/2 SD | 1'000 | 800 | 630 | 500 | 400 | 4/1 | 0.72/0.18 | 2.9/3.0 | 2 | 25 |
| TS 500/2 SH | 630 | 500 | 400 | 320 | 250 | 6.25/1.5 | 0.72/0.18 | 2.9/3.0 | 2 | 25 |
| TS 1000/1 S | 1'000 | 800 | 630 | 500 | 400 | 8 | 1.45 | 3.7 | 1 | 45 |
| TS 1000/1 SD | 1'000 | 800 | 630 | 500 | 400 | 8/2 | 1.45/0.36 | 4.0/2.8 | 1 | 46 |
| TS 1000/1 SH | 500 | 400 | 320 | 250 | 200 | 16/4 | 1.45/0.36 | 5.8/2.6 | 1 | 48 |
| TS 1000/2 S | 2'000 | 1'600 | 1'250 | 1'000 | 800 | 4 | 1.45 | 3.7 | 2 | 50 |
| TS 1000/2 SD | 2'000 | 1'600 | 1'250 | 1'000 | 800 | 4/1 | 1.45/0.36 | 4.0/2.8 | 2 | 51 |
| TS 1000/2 SH | 1'000 | 800 | 630 | 500 | 400 | 8/2 | 1.45/0.36 | 5.8/2.6 | 2 | 53 |
| TS 1600/1 S | 1'600 | 1'250 | 1'000 | 800 | 630 | 8 | 2.44 | 6.0 | 1 | 63 |
| TS 1600/1 SD | 1'600 | 1'250 | 1'000 | 800 | 630 | 8/2 | 2.44/0.61 | 6.6/4.2 | 1 | 65 |
| TS 1600/1 SH | 1'000 | 800 | 630 | 500 | 400 | 12.5/3 | 2.39/0.58 | 6.6/4.2 | 1 | 65 |
| TS 1600/2 S | 3'200 | 2'500 | 2'000 | 1'600 | 1'250 | 4 | 2.44 | 6.0 | 2 | 73 |
| TS 1600/2 SD | 3'200 | 2'500 | 2'000 | 1'600 | 1'250 | 4/1 | 2.44/0.61 | 6.6/4.2 | 2 | 75 |
| TS 1600/2 SH | 2'000 | 1'600 | 1'250 | 1'000 | 800 | 6.25/1.5 | 2.39/0.58 | 6.6/4.2 | 2 | 75 |
| TS 2000/1 S | 2'000 | 1'600 | 1'250 | 1'000 | 800 | 8 | 3.05 | 7.3 | 1 | 65 |
| TS 2000/1 SD | 2'000 | 1'600 | 1'250 | 1'000 | 800 | 8/2 | 3.05/0.77 | 8.0/4.5 | 1 | 67 |
| TS 2000/1 SFH | 1'250 | 1'000 | 800 | 630 | 500 | 12.5/3 | 2.98/0.72 | 8.0/4.5 | 1 | 67 |
| TS 2000/2 S | 4'000 | 3'200 | 2'500 | 2'000 | 1'600 | 4 | 3.05 | 7.3 | 2 | 76 |
| TS 2000/2 SD | 4'000 | 3'200 | 2'500 | 2'000 | 1'600 | 4/1 | 3.05/0.77 | 8.0/4.5 | 2 | 78 |
| TS 2000/2 SH | 2'500 | 2'000 | 1'600 | 1'250 | 1'000 | 6.25/1.5 | 2.98/0.72 | 8.0/4.5 | 2 | 78 |
| TS 2500/1 S | 2'500 | 2'000 | 1'600 | 1'250 | 1'000 | 6.4 | 3.05 | 7.7 | 1 | 65 |
| TS 2500/1 SD | 2'500 | 2'000 | 1'600 | 1'250 | 1'000 | 6.4/1.6 | 3.05/0.77 | 8.2/4.4 | 1 | 67 |
| TS 2500/1 SH | 1'600 | 1'250 | 1'000 | 800 | 630 | 10/2.5 | 3.05/0.77 | 8.2/4.4 | 1 | 67 |
| TS 2500/2 S | 5'000 | 4'000 | 3'200 | 2'500 | 2'000 | 3.2 | 3.05 | 7.7 | 2 | 76 |
| TS 2500/2 SD | 5'000 | 4'000 | 3'200 | 2'500 | 2'000 | 3.2/0.8 | 3.05/0.77 | 8.2/4.4 | 2 | 78 |
| TS 2500/2 SH | 3'200 | 2'500 | 2'000 | 1'600 | 1'250 | 5/1.25 | 3.05/0.77 | 8.2/4.4 | 2 | 78 |

S= Speed, SD= Speed Double, SH= Speed High, SS= Super Speed



Standard: lifting height 3 m/1.8 m control cable TS 250/500 and TS 1000: suspension with eyebolt TS 1600/2000/2500: without suspension parts

Options : chain/control cable extended (lifts up to 120 m) TS 250/500 and TS 1000: suspension with hook TS 1600/2000/2500: suspension with eyebolt or hook; suspension part for travel trolleys

- Low voltage 42 volts control with emergency stop
- Upper and lower electrical gearbox limit switch
- Wear resistant overload slip clutch; with asbestos free lining
- Heat treated gears in oil bath
- Wear resistant brake
- Special load chain to DIN 5684, cadmium plated, grade 8
- Load hook to DIN 15401
- Motor protection: IP 55 to DIN 40050
- Motor insulation: F

Dimensions

| Types | a1 [mm] | a2 [mm] | a3 [mm] | a4 [mm] | b1 [mm] | b2 [mm] | b3 [mm] | c1 [mm] | c2 [mm] | c3 [mm] | h1 [mm] |
|-----------|---------|---------|---------|---------|---------|---------|---------|---------|---------|---------|---------|
| TS 250/1 | 246 | 281 | 146 | 40 | 309 | 155 | 22 | 164 | 53 | 398 | 369 |
| TS 250/2 | 246 | 281 | 164 | 40 | 309 | 155 | 22 | 164 | 53 | 398 | 408 |
| TS 500/1 | 246 | 281 | 146 | 40 | 309 | 155 | 22 | 164 | 53 | 398 | 377 |
| TS 500/2 | 246 | 281 | 169 | 40 | 309 | 155 | 22 | 164 | 53 | 398 | 417 |
| TS 1000/1 | 321 | 367 | 190 | 52 | 367 | 180 | 32 | 214 | 69 | 565 | 482 |
| TS 1000/2 | 321 | 367 | 224 | 52 | 367 | 180 | 32 | 214 | 69 | 565 | 556 |
| TS 1600/1 | 345 | 424 | 220 | 75 | 389 | 180 | 37 | 230 | 135 | 646 | 608 |
| TS 1600/2 | 345 | 424 | 263 | 75 | 389 | 180 | 37 | 230 | 135 | 646 | 690 |
| TS 2000/1 | 345 | 424 | 220 | 75 | 389 | 180 | 37 | 230 | 135 | 646 | 608 |
| TS 2000/2 | 345 | 424 | 263 | 75 | 389 | 180 | 37 | 230 | 135 | 646 | 690 |
| TS 2500/1 | 345 | 424 | 220 | 75 | 389 | 180 | 37 | 230 | 135 | 646 | 608 |
| TS 2500/2 | 345 | 424 | 263 | 75 | 389 | 180 | 37 | 230 | 135 | 646 | 690 |

| Specification | | | | | | | | | |
|--------------------------|---------------------|---------------------|---------------------|---------------------|---------------------|------------------|------------------|---------------|-------------|
| ISO (FEM) classification | M3 (1Bm) | M4 (1Am) | M5 (2m) | M6 (3m) | M7 (4m) | Travelling speed | Motor power (M3) | 3 x 400V (M3) | Dead weight |
| | 150 s/h 25% duty | 180 s/h 30% duty | 240 s/h 40% duty | 300 s/h 50% duty | 360 s/h 60% duty | [m/min] | [kW] | [A] | [kg] |
| Types | Capacity [kg] | | | | | [m/min] | [kW] | [A] | [kg] |
| CORSO™ TSP 50 | 1'000 | 800 | 630 | 630 | 500 | - | - | - | 7.5 |
| CORSO™ TSE 50/S | 1'000 | 800 | 630 | 630 | 500 | 12 | 0.25 | 0.8 | 27 |
| CORSO™ TSE 50/SD | 1'000 | 800 | 630 | 630 | 500 | 12/4 | 0.15/0.045 | 0.65/0.75 | 27 |
| CORSO™ TSE 50/SH | 800 | 800 | 630 | 630 | 500 | 20/6 | 0.15/0.045 | 0.65/0.75 | 27 |
| CORSO™ TSP 150 | 2'000 | 2'000 | 1'600 | 1'600 | 1'250 | - | - | - | 13.5 |
| CORSO™ TSE 150/S | 2'000 | 2'000 | 1'600 | 1'600 | 1'250 | 12 | 0.25 | 0.8 | 31 |
| CORSO™ TSE 150/SD | 2'000 | 2'000 | 1'600 | 1'600 | 1'250 | 12/4 | 0.15/0.045 | 0.65/0.75 | 31 |
| CORSO™ TSE 150/SH | 1'600 | 1'600 | 1'600 | 1'600 | 1'250 | 20/6 | 0.15/0.045 | 0.65/0.75 | 31 |
| CORSO™ TSP 300 | 4'000 | 4'000 | 3'200 | 2'500 | 2'500 | - | - | - | 27.5 |
| CORSO™ TSE 300/S | 4'000 | 4'000 | 3'200 | 2'500 | 2'500 | 12 | 0.25 | 0.8 | 50 |
| CORSO™ TSE 300/SD | 4'000 | 4'000 | 3'200 | 2'500 | 2'500 | 12/4 | 0.15/0.045 | 0.65/0.75 | 50 |
| CORSO™ TSE 300/SH | 3'200 | 3'200 | 3'200 | 2'500 | 2'500 | 20/6 | 0.15/0.045 | 0.65/0.75 | 50 |
| CORSO™ TSP 500 | 5'000 | 4'000 | 3'200 | 3'200 | 2'500 | - | - | - | 27.5 |
| CORSO™ TSE 500/S | 5'000 | 4'000 | 3'200 | 3'200 | 2'500 | 12 | 2x0.25 | 2x0.8 | 57 |
| CORSO™ TSE 500/SD | 5'000 | 4'000 | 3'200 | 3'200 | 2'500 | 12/4 | 2x0.15/0.045 | 2x0.65/0.75 | 57 |
| CORSO™ TSE 500/SH | 4'000 | 4'000 | 3'200 | 3'200 | 2'500 | 20/6 | 2x0.15/0.045 | 2x0.65/0.75 | 57 |

S= Speed, SD= Speed Double, SH= Speed High, SS= Super Speed

| Dimensions | | | | | | | | |
|----------------|---------|---------|---------|---------|---------|---------|---------|---------|
| Types | e1 [mm] | e2 [mm] | f1 [mm] | f2 [mm] | f3 [mm] | f4 [mm] | f5 [mm] | f6 [mm] |
| CORSO™ TSP 50 | 215 | - | - | - | - | 183 | 23 | - |
| CORSO™ TSE 50 | 215 | 62 | 209 | 250 | 241 | 183 | 23 | - |
| CORSO™ TSP 150 | 250 | - | - | - | - | 230 | 27 | - |
| CORSO™ TSE 150 | 250 | 43 | 211 | 253 | 242 | 230 | 27 | - |
| CORSO™ TSP 300 | 311 | - | - | - | - | 290 | 31 | - |
| CORSO™ TSE 300 | 311 | 12 | 217 | 259 | 249 | 290 | 31 | - |
| CORSO™ TSP 500 | 311 | - | - | - | - | 290 | 31 | - |
| CORSO™ TSE 500 | 311 | 12 | - | 259 | 249 | 290 | 31 | 249 |

| Types | g1 [mm] | g2 [mm] | h2 [mm] | | | | Flange width [mm] |
|----------------|---------|---------|-----------|-----------|-----------|-----------|-------------------|
| | | | TS 250/1 | TS 250/2 | TS 500/1 | TS 500/2 | |
| CORSO™ TSP 50 | 49 | 167 | 418 | 457 | 426 | 466 | 50 - 99 |
| CORSO™ TSE 50 | 49 | 167 | 418 | 457 | 426 | 466 | 50 - 99 |
| CORSO™ TSP 150 | 60 | 203 | TS 1000/1 | TS 1000/2 | | | 76 - 139 |
| | | | | | | | |
| CORSO™ TSE 150 | 60 | 203 | 542 | 616 | | | 76 - 139 |
| CORSO™ TSP 300 | 55 | 218 | TS 1600/1 | TS 1600/2 | TS 2000/1 | TS 2000/2 | 120 - 179 |
| | | | | | | | |
| CORSO™ TSE 300 | 55 | 218 | 637 | 719 | 637 | 719 | 120 - 179 |
| CORSO™ TSP 500 | 55 | 218 | TS 2500/1 | TS 2500/2 | | | 120-179 |
| | | | | | | | |
| CORSO™ TSE 500 | 55 | 218 | 637 | 719 | | | 120-179 |

Options: other flange widths electric travel trolley with brake

Standard voltages: 3Ph 230V, 50Hz; 3Ph 400V, 50Hz

Special voltages: on request

